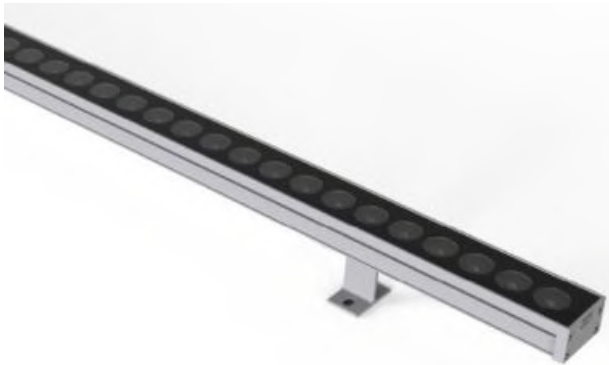


EXC-W45CBL Multi-pixel LED Wall Washer



Application Environment:
Indoor
Outdoor

Description

EXC-W45CBL full color series are are high power outdoor landscape LED wall washer with high strength aluminum alloy housing by EXC-LED. EXC-W45CBL can be used for accent lighting or flood lighting, such as building facade, bridge, stage, etc. Customized lighting fixture length available.

Features

- The newest generation technology: DMX512 parallel bus design
- Patented comb-like convection design ensure better heat dissipation
- Low thermal resistance path heat dissipation design
- Design of unique waterproof and ventilation
- Outdoor lighting protection and electrostatic discharge (ESD) protection design
- Projection distance: 1-5m

Basic Specifications

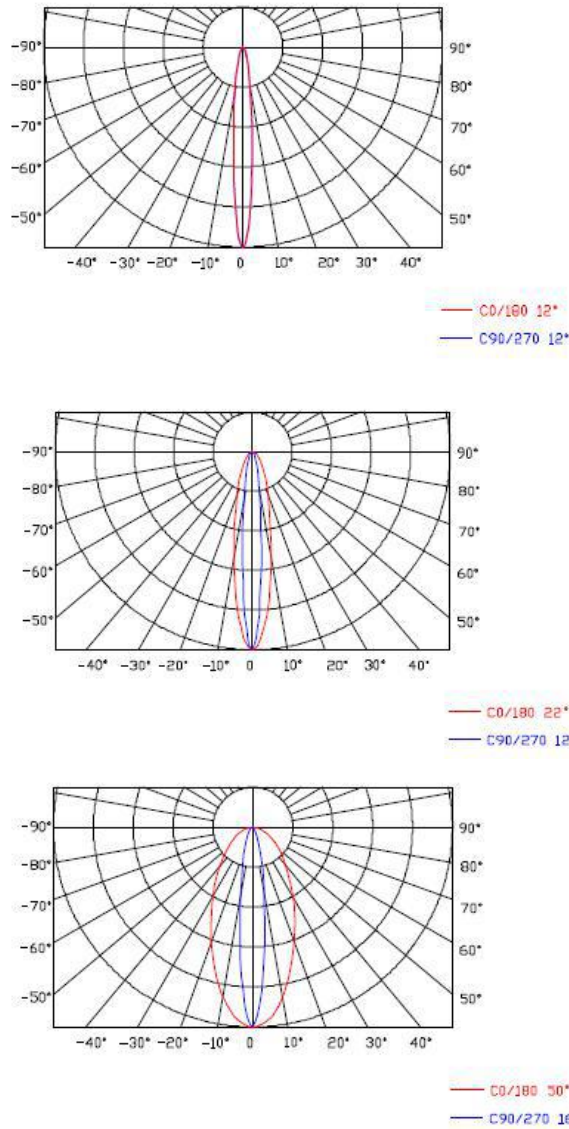
| | |
|------------------------|--|
| Color Range | RGBW, RGB, W(2200K-6500K) |
| Light Source | 24/36 pcs LEDs |
| Working Voltage | DC 24V |
| Max. Power Consumption | 36/48W(white), 54/60W(RGB), 48W(RGBW) |
| Control | DMX512, ON/OFF |
| Segment | 1 |
| Grey Scale | 8bit, 16bit |
| Source Life | 50,000 h |
| RDM | Optional |
| LED chip Brand | Optional(Cree, OSRAM, Lumileds, Epistar, etc...) |
| Housing | High Strength Aluminum |
| Cover | Tempered glass |
| Weight | 2.6KG |
| Working Temperature | -40°C to 60°C |

| | |
|---------------------|---|
| Storage Temperature | -40°C to 70°C |
| Protection Rating | IP66 |
| Efficiency flux | 75LM/W(white), 35LM/W(RGB), 40LM/W(RGBW) |
| Beam Angle | 3030/3535: (12° 、 17° 、 12*22° 、 16*50°) CREE 5050: (20° 、 30° 、 45° 、 60° 、 20*40°) and other beam angle available |

| | |
|------------------|-------------------------------|
| Host Controller | EXC-5200 |
| Slave Controller | EXC-2905T1 |
| Signal Cable | EXC-LED outdoor special cable |

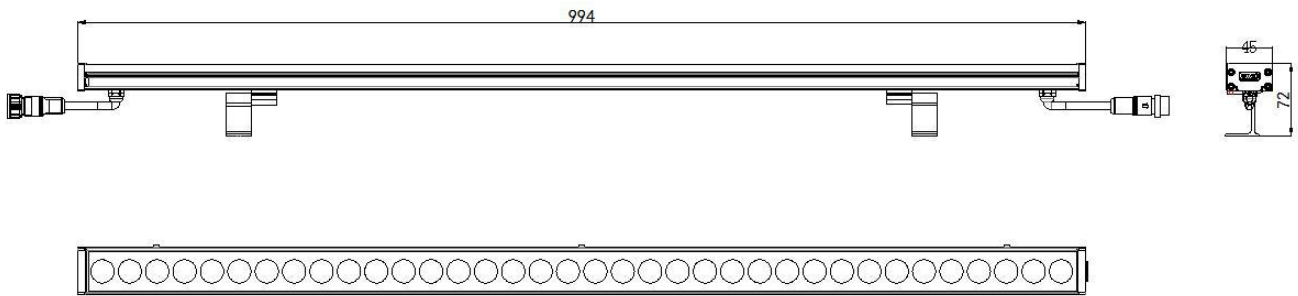
Light Intensity Distribution

Light Intensity Chart

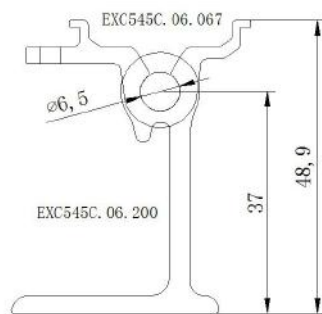


Physical Dimension

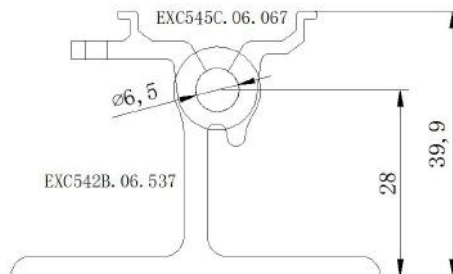
Unit: mm



Mounting Accessories 1:



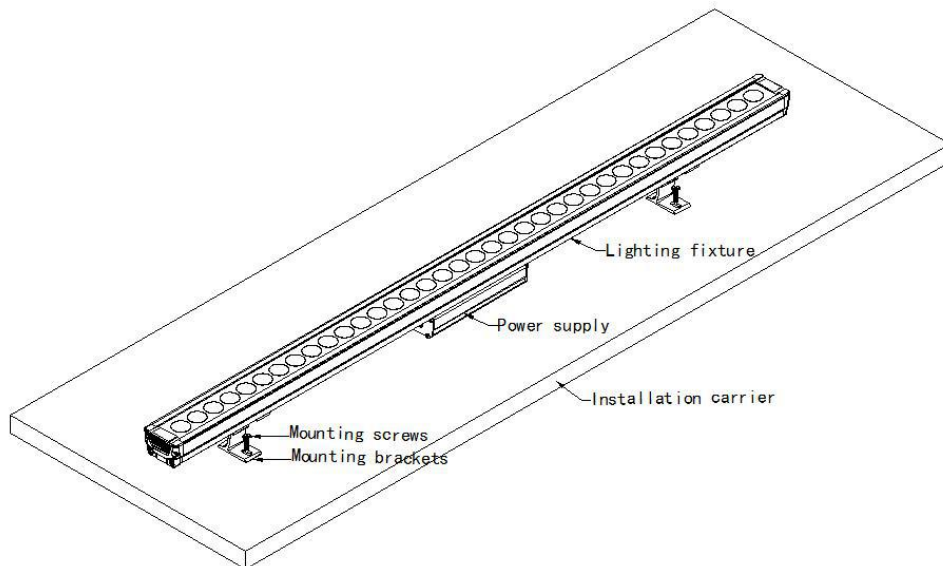
Mounting Accessories 2:



Installation Diagram

Step 1: Use M6 expansion screw and fix the mounting seat to the required position as shown. And specific spacing according to lamp length requirements.

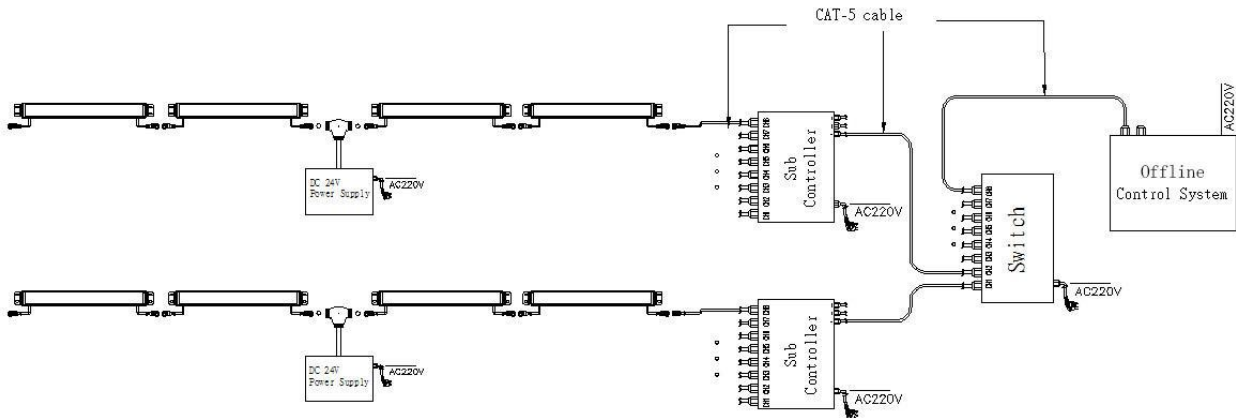
Step2: Fix the screws.



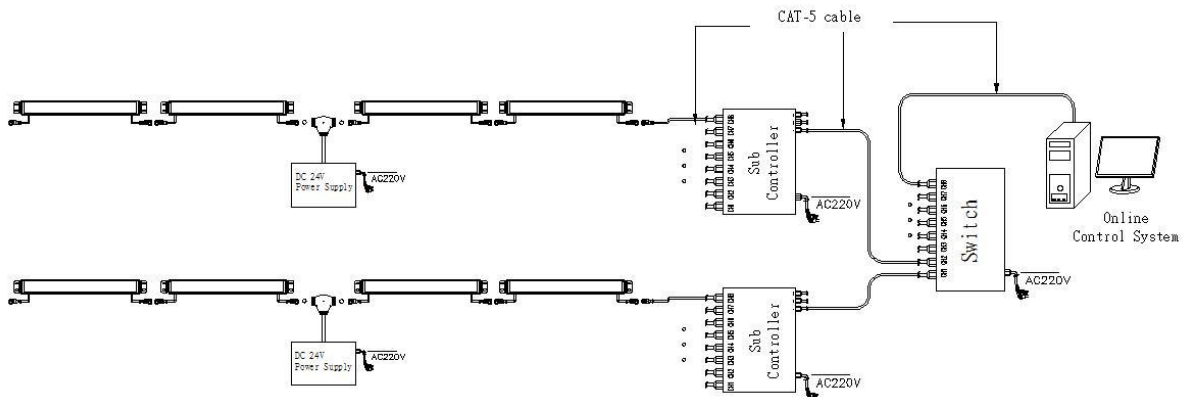
System connection diagram:

- 1、 Host controller should connect with slave controller. Working voltage for controllers are AC220V.
- 2、 On-line main controller should connect with slave controller, on-line main controller and sub controller working voltage are AC220V.
- 3、 each sub-controller with 8 ports, with each port 512 pixels, supporting data converter, supports 100 meters ultra-long haul transmission.
- 4、 The CAT-5 e. cable distance should be within 100 meters between host controller and slave controller, between slave controllers and switch, etc.

Offline Controlling System Diagram



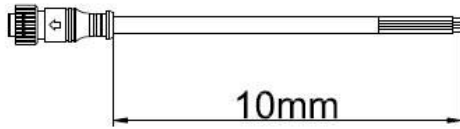
Online Controlling System Diagram



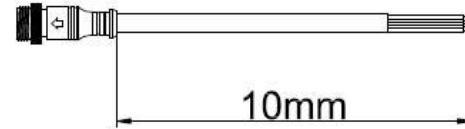
Accessories :

1: Female and Male Connector(Connect to first dot light for signal transmission)

Female Connector

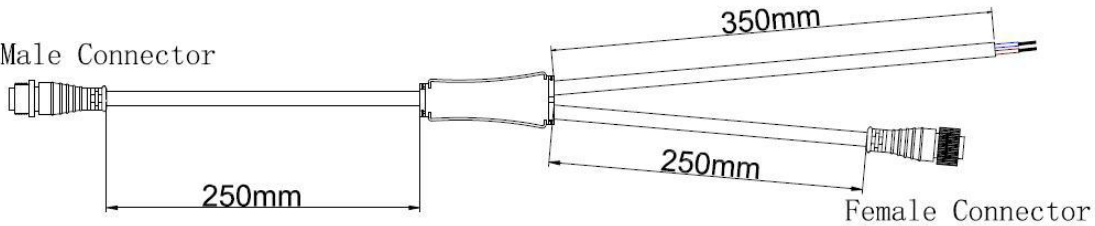


Male Connector



2: Y Shape Connector(For power Distribution)

Male Connector



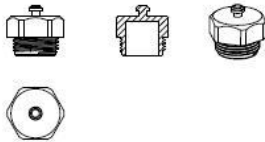
3: Interconnection Cable(1.3M,3M,5M is standard length)

Female Connector

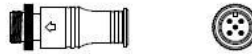
Male Connector



4: End Cap



Male Connector



Male Connector